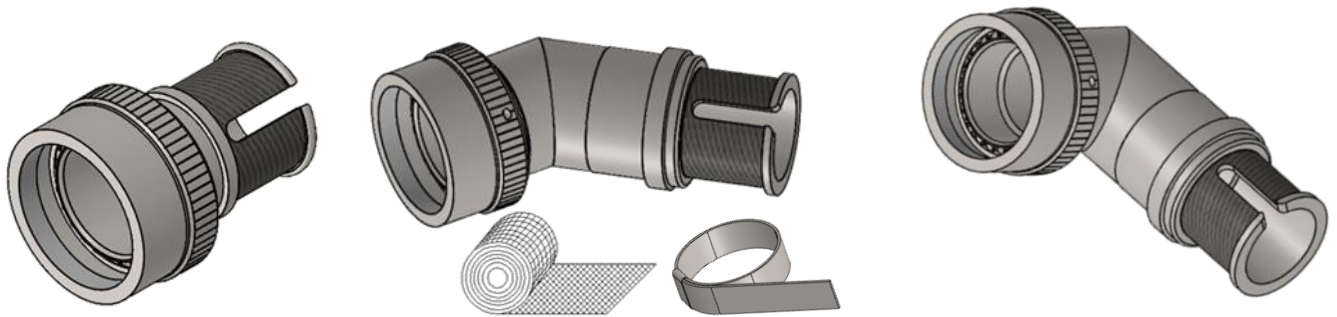


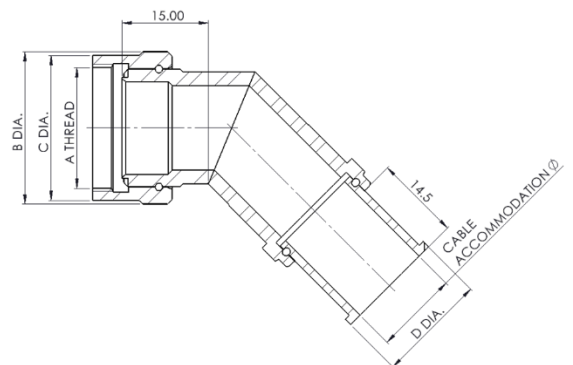
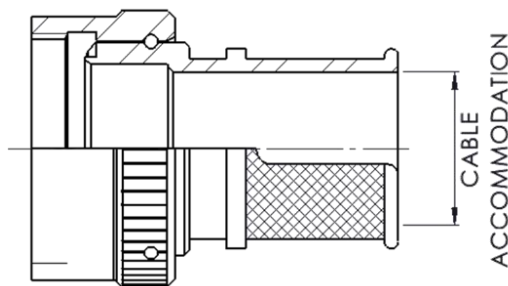
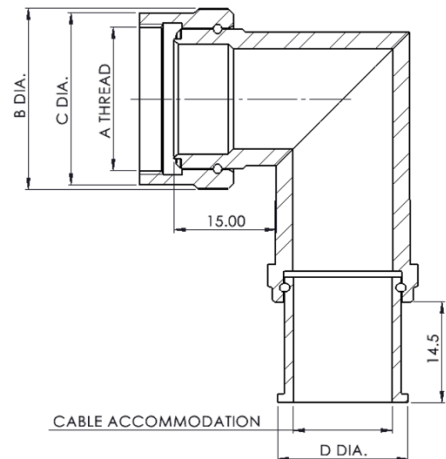
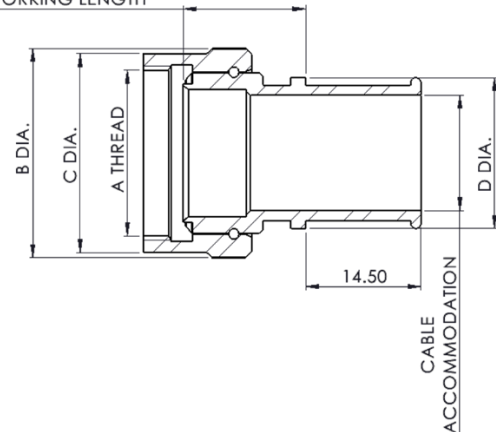
KC2600 Series

EMC Circular Backshell with band strap



- Light weight and compact backshell suitable for all standard circular connectors
- High levels of EMC and Environmental performance
- Overall screening by band strap system
- Individual wire screening by interwoven braid and slotted body
- Customers can continue to use the termination method of their choice with 'NS' option
- Teeth on backshell body mesh with connector teeth for positive lock
- Blind teeth for increased EMC screening with internal taper for enhanced environmental sealing with the connector
- Additional environmental sealing of cable system by heat shrink boot
- Overall environmental seal with heat shrink boot is equal to or higher than the IP rating of the connector

WORKING LENGTH



KEC LIMITED

Orpheus House, Calleva Park, Aldermaston, Reading, Berkshire RG7 8TA England

www.kec.co.uk

Tel: +44 (0)118 981 1571 email: sales@kec.co.uk

EXAMPLE PART NUMBER

KC2601 - 32 - 25 W 1 - 25 -XXX

Material - Table 1

Connector Series - Table 3

Shell Size - Table 2

Finish - Table 5

Working Length - Note 1

Cable Entry - Table 4

Mod Code - Note 4

TABLE 1	
MATERIAL CODE	
01	ALUMINIUM
02	STAINLESS STEEL
03	ALI BRONZE

TABLE 2					
SHELL SIZE	A THREAD 22/26/38 SERIES	A THREAD 28 SERIES	A THREAD 32 SERIES	B DIA MAX	C DIA MAX
08/09	7/16" - 28 UNEF	1/2" - 20 UNF	M12 x 1.00-6H	18.35	15.90
10/11	9/16" - 24 UNEF	5/8" - 24 UNEF	M15 x 1.00-6H	21.70	18.90
12/13	11/16" - 24 UNEF	3/4" - 20 UNEF	M18 x 1.00-6H	25.10	22.15
14/15	13/16" - 20 UNEF	7/8" - 20 UNEF	M22 x 1.00-6H	28.95	25.35
16/17	15/16" - 20 UNEF	1.000" - 20 UNEF	M25 x 1.00-6H	31.90	28.00
18/19	1 1/16" - 18 UNEF	1 1/16" - 18 UNEF	M28 x 1.00-6H	34.85	30.35
20/21	1 3/16" - 18 UNEF	1 3/16" - 18 UNEF	M31 x 1.00-6H	36.65	33.85
22/23	1 5/16" - 18 UNEF	1 5/16" - 18 UNEF	M34 x 1.00-6H	40.95	36.65
24/25	1 7/16" - 18 UNEF	1 7/16" - 18 UNEF	M37 x 1.00-6H	43.80	40.65

TABLE 3 (See Note 2)				
SERIES CODE STRAIGHT	SERIES CODE 45° ANGLE	SERIES CODE 90° ANGLE	CONNECTOR TYPE (TYPICAL. See Note 3)	SHELL SIZE
22	42	82	MIL-C-26482 SERIES 1, PAT 105, 608, 603	08-24
26	46	86	MIL-C-38999 SERIES 1 & 2, PAT 614 & 616, PAN 6433-1	08-24
28	48	88	MIL-C-83723 SERIES 1 & 3, MIL-C-26482 SERIES 2 PAT 602 & PAN 6432-1 & 4	08-24
32	52	92	MIL-C-38999 SERIES III & IV, METRIC THREADS (EN3645)	09-25
38	58	98	PAN 6433-2, LN29729	08-24

TABLE 4		
ENTRY CODE	CABLE ACCOMODATION	D DIA
08/09	7.5	12.3
10/11	9.3	13.1
12/13	12.7	17.4
14/15	14.4	19.2
16/17	17.8	21.5
18/19	19.6	23.7
20/21	24.1	27.9
22/23	27.0	30.9
24/25	29.2	33.5

TABLE 5	
FINISH CODE	
G	BLACK ZINC NICKEL
J	ELECTROLESS NICKEL
W	CADMIUM + OLIVE DRAB
Z	ZINC COBALT + OLIVE DRAB

NOTES:

- WORKING LENGTH IN 12.7mm (0.5in) INCREMENTS. FOR EXAMPLE, WORKING LENGTH 4 = 50.8mm (2in). KC2600 MINIMUM WORKING LENGTH IS 1. (STRAIGHT BACKSHELLS ONLY – OMIT ON ANGLED VERSIONS).
- USE 22/26/28/32/38 FOR STRAIGHT BACKSHELLS, 42/46/48/52/58 FOR 45° BACKSHELLS & 82/86/88/92/98 FOR 90° BACKSHELLS.
- THE ABOVE INFORMATION IS TYPICAL AND MANY OTHER CONNECTOR TYPE OPTIONS & VARIATIONS ARE AVAILABLE, PLEASE CONSULT FACTORY.
- USED FOR MODIFICATION TO STANDARD PARTS. **IF NO BAND STRAP IS REQUIRED ADD THE MOD CODE: NS.** CONSULT FACTORY FOR OTHER OPTONS.

KEC LIMITED

Orpheus House, Calleva Park, Aldermaston, Reading, Berkshire RG7 8TA England

www.kec.co.uk

Tel: +44 (0)118 981 1571 email: sales@kec.co.uk