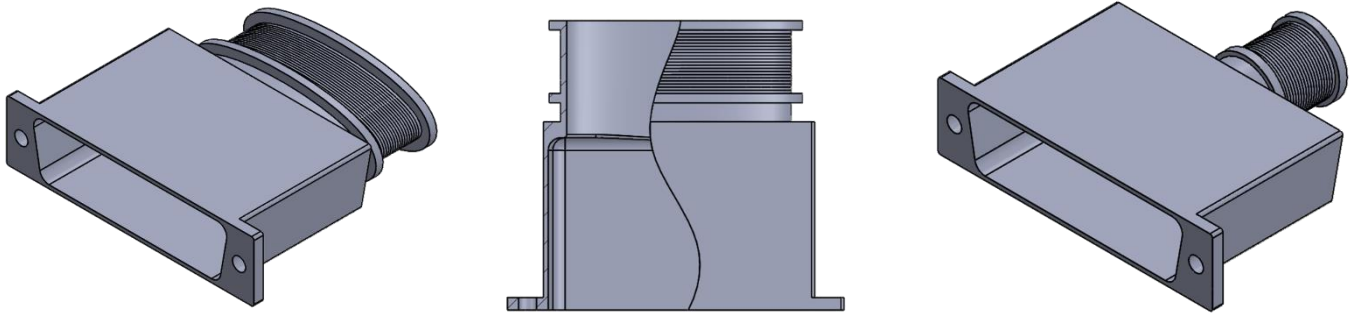
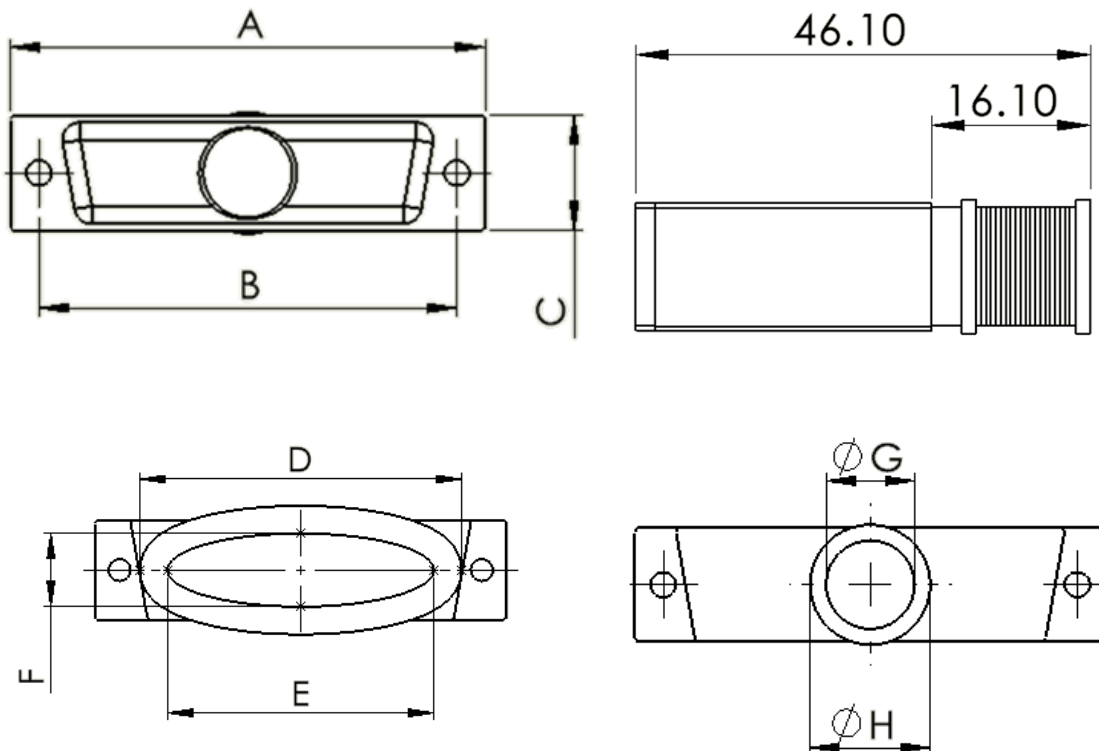


KD2 Series

EMC D-Type Backshell with band strap termination



- Light weight and compact backshell, suitable for size 09, 15, 25, 37, and 50 D-Type connectors
- Machined in a single piece from quality aluminium alloy
- High levels of EMC performance
- Overall screening by band strap system
- Customers can continue to use the termination method of their choice with 'NS' option
- Circular and elliptical cable entry options according to cable size(s)
- Additional environmental sealing of cable system by heat shrink boot
- Supplied with clips and standard slotted head screws for retaining the connector



KEC LIMITED

Orpheus House, Calleva Park, Aldermaston, Reading, Berkshire RG7 8TA England

www.kec.co.uk

Tel: +44 (0)118 981 1571 email: sales@kec.co.uk

EXAMPLE PART NUMBER

KD2-09-02C-01J-XXX

Shell Size - Table 1

Cable Entry - Table 2

Cable Entry Type - Table 3

Material - Table 4

Finish - Table 5

Mod Code - Note 1

SHELL SIZE	A	B	C	MAX ENTRY C	MAX ENTRY E
09	30.81	25.00	12.93	06C	08E
15	39.52	33.33	12.93	06C	10E
25	53.42	47.02	12.93	06C	12E
37	69.76	63.50	12.93	06C	15E
50	67.31	61.12	15.75	08C	16E

CIRCULAR CABLE ENTRY	G	H	ELLIPTICAL CABLE ENTRY	D	E	F	CIRCULAR EQUIVALENT
01C	3.20	9.00	07E	16.60	13.00	9.50	11.10
02C	4.75	9.00	08E	20.10	16.50	9.50	12.70
03C	6.85	11.30	09E	24.10	20.50	9.50	14.30
04C	7.35	13.10	10E	28.30	24.75	9.50	15.90
05C	7.90	13.10	11E	33.00	29.45	9.50	17.50
06C	10.05	13.65	12E	38.20	34.65	9.50	19.10
07C	10.65	14.25	13E	43.80	40.20	9.50	20.60
08C	12.70	16.30	14E	49.80	46.20	9.50	22.20
			15E	56.30	52.75	9.50	23.80
			16E	53.60	50.00	12.00	25.40

ENTRY CODE	CABLE ENTRY TYPE
C	Circular
E	Elliptical

MATERIAL CODE	
01	ALUMINIUM
02	STAINLESS STEEL
03	ALI BRONZE

FINISH CODE	
G	BLACK ZINC NICKEL
J	ELECTROLESS NICKEL
W	CADMIUM + OLIVE DRAB
Z	ZINC COBALT + OLIVE DRAB

NOTES:

- Used for modification to standard part numbers. **EG If no band strap is required add the mod code: NS**
- The above information is typical and other connector size options & variations are available. For full dimensional details and other options, please consult factory.

KEC LIMITED

Orpheus House, Calleva Park, Aldermaston, Reading, Berkshire RG7 8TA England

www.kec.co.uk

Tel: +44 (0)118 981 1571 email: sales@kec.co.uk